

INTEGRATED CONNECTOR MODULES

C893-1AX1-E1 10/100Base-TX MagJack® with LEDs

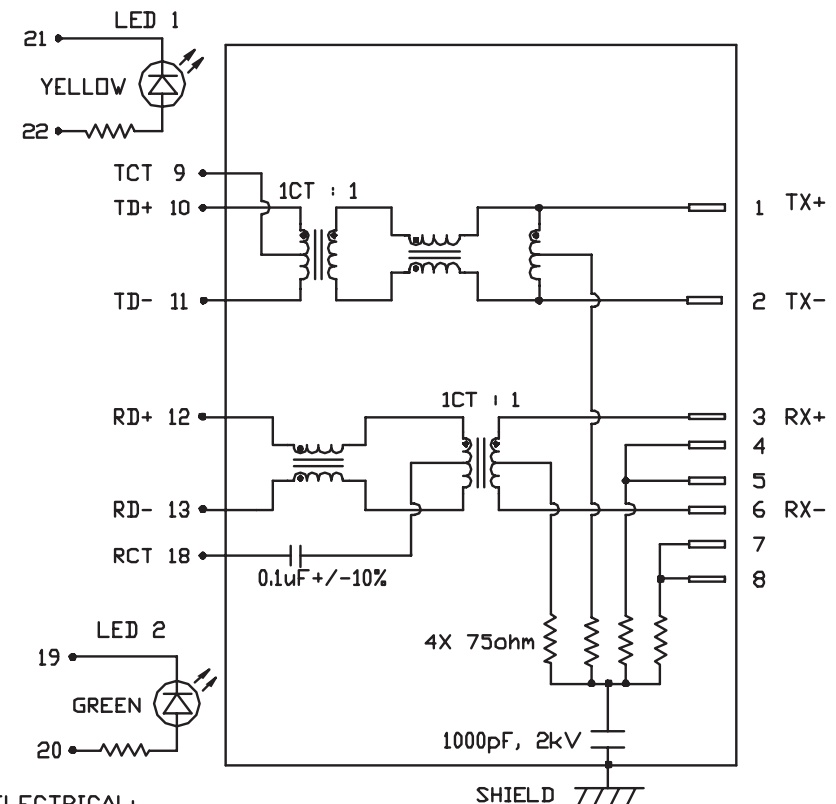


LED2 POLARITY			LED1 POLARITY		
PIN 19	PIN 20	COLOR	PIN 21	PIN 22	COLOR
-	+	GREEN	-	+	YELLOW

ELECTRICAL CHARACTERISTICS @ 25°C

URNS RATIO	
TX	1CT : 1CT ±3%
RX	1CT : 1CT ±3%
CL @ 100kHz, 100mVRMS	
8mA DC BIAS	350uH MIN
INS. LOSS	
100KHZ TO 100MHZ	-1.0 dB MAX
RET. LOSS (MIN)	
1MHZ-30MHZ	-20 dB
30MHZ-60MHZ	-[19-20LOG(F/30MHZ)] dB
60MHZ-80MHZ	-12 dB
CM TO CM REJ	
100kHz - 100MHZ	-30 dB MIN
100MHZ - 130MHZ	-20 dB MIN
CROSS TALK	
1MHZ - 65MHZ	-35 dB MIN
65MHZ - 100MHZ	-30 dB MIN
HIPOT (Isolation Voltage):	
	1500 Vrms
LEAKAGE INDUCTANCE	
PRIMARY W/ SECONDARY	0.3uH Max. @ 1MHz
INTERWINDING CAPACITANCE	
PER CHANNEL (PRI. TO SEC.)	30pF Max @ 1MHz
DC RESISTANCE	
(RJ1-RJ2)=(RJ3-RJ6)	1.2 ohms Max

LED 1			
V _F (FORWARD VOLTAGE)	I _F =20mA	YELLOW	2.1V TYP.
λ _D (DOMINANT WAVELENGTH)	I _F =20mA	YELLOW	590nm TYP.
LED 2			
V _F (FORWARD VOLTAGE)	I _F =20mA	GREEN	2.2V TYP.
λ _D (DOMINANT WAVELENGTH)	I _F =20mA	GREEN	565nm TYP.



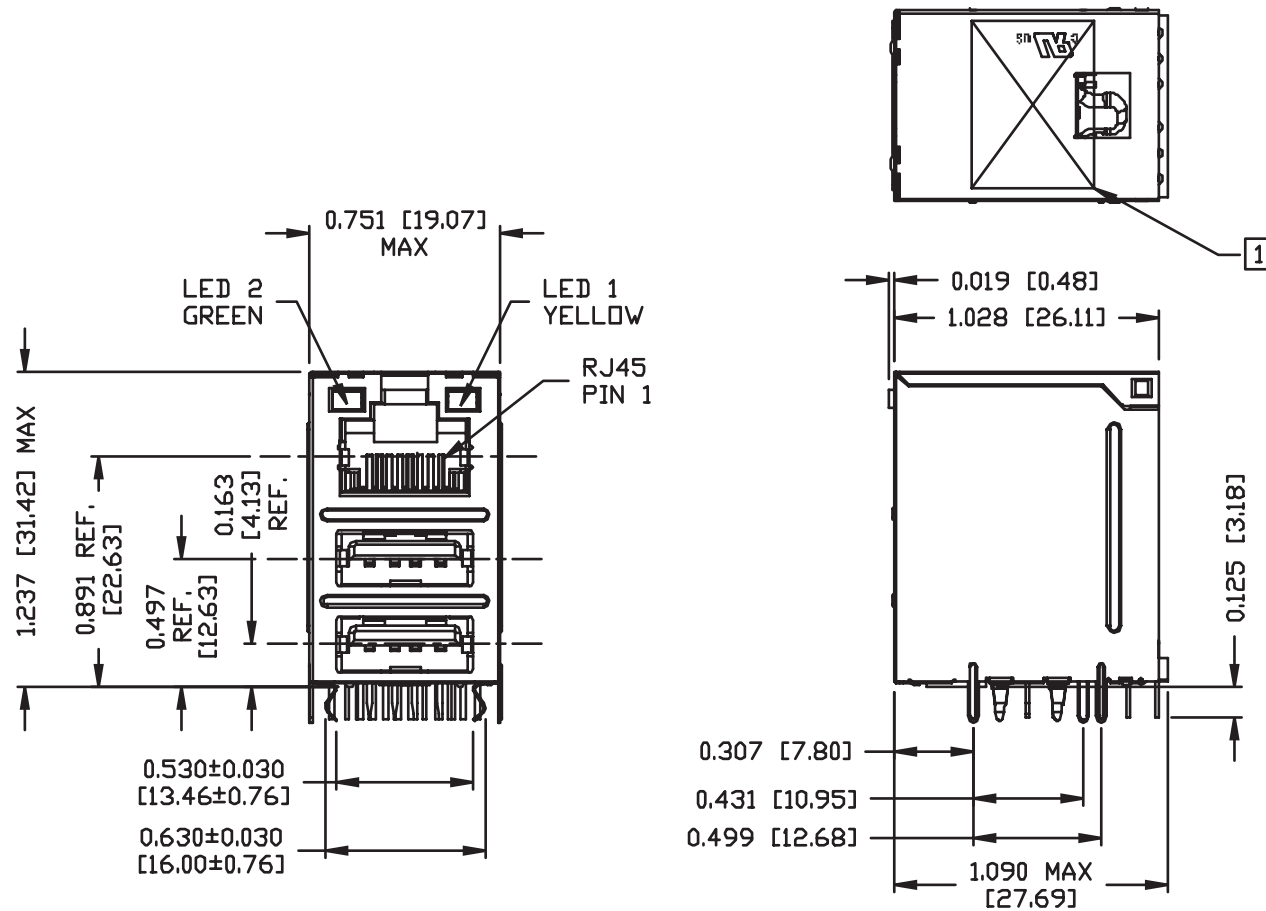
USB ELECTRICAL:	
INSULATION RESISTANCE:	1000 MEG Ω (MIN)
CONTACT RESISTANCE:	25 MILLI Ω (MAX)
DIELECTRIC WITHSTANDING:	750 VAC

INTEGRATED CONNECTOR MODULES

C893-1AX1-E1 10/100Base-TX MagJack® with LEDs



MECHANICAL SPECIFICATION

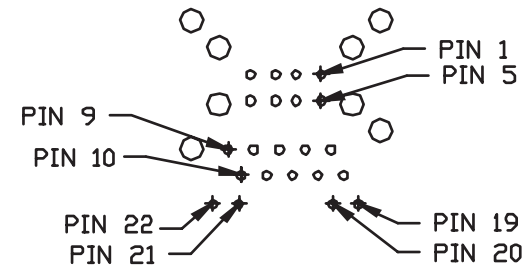
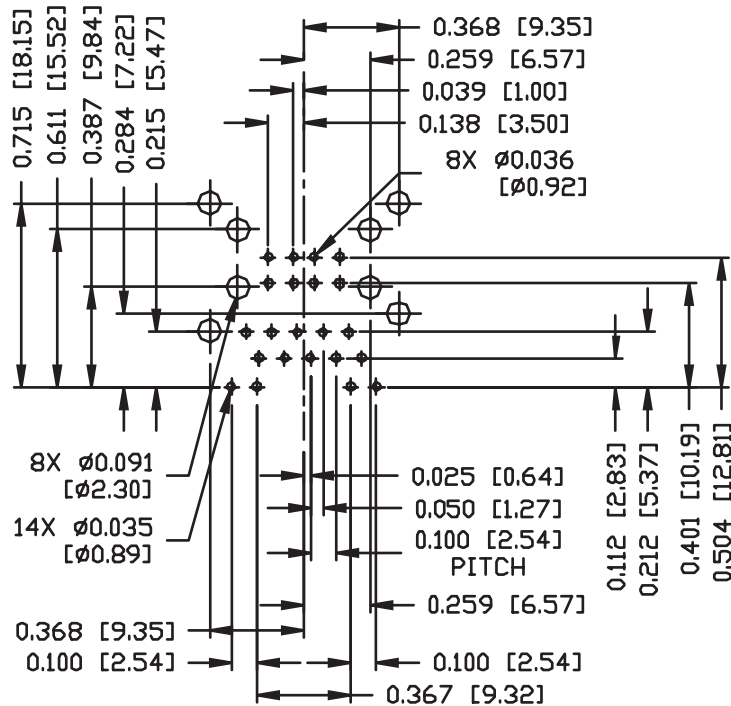


INTEGRATED CONNECTOR MODULES

C893-1AX1-E1 10/100Base-TX MagJack® with LEDs



Recommended PCB footprint
Component Side



RJ45 MECHANICAL

PLASTIC HOUSING:

CONTACTS PLATING:

PINS:

METAL SHIELD:

THERMOPLASTIC PBT

FLAMMABILITY RATING UL 94V-0

50 MICRO-INCH HARD GOLD PLATING

TIN-COATED CP WIRE, DIA 0.018 INCH.

TIN PLATED ON COPPER ALLOY,

USB MECHANICAL:

MATING FORCE:

UNMATING FORCE:

CONTACTS PLATING:

35 NEWTONS MAXIMUM

10 NEWTONS MINIMUM

PROSPHER BRONZE, GOLD PLATING ON CONTACT AREA AND TIN ON SOLDER TAIL.

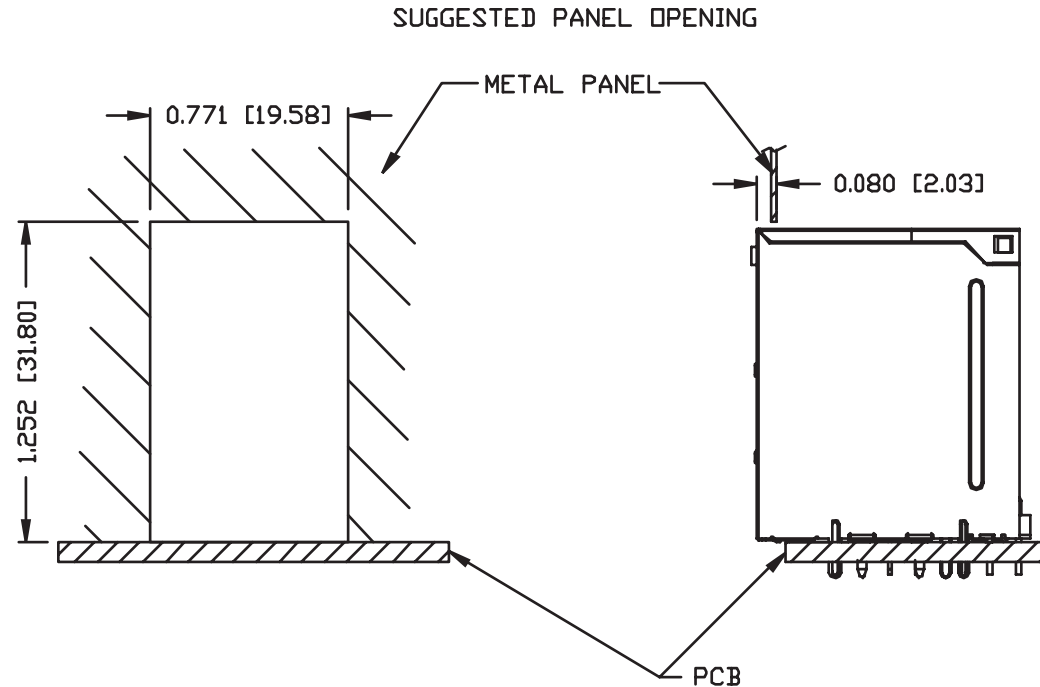
US UL RECOGNIZED - FILE #E196366 AND E169987.

RoHS COMPLIANCE, PER EU DIRECTIVE 2002/95/EC.

[1] MARK PART WITH MFG LOGO, MFG NAME, PART NUMBER, AND DATE CODE.

INTEGRATED CONNECTOR MODULES

C893-1AX1-E1 10/100Base-TX MagJack® with LEDs



NOTE:

THE DISTANCE OF PANEL INSIDE SURFACE RELATIVE TO FRONT SURFACE OF PART IS ONLY A SUGGESTION. IN CASE THIS DISTANCE IS DIFFERENT, THE REQUIRED PANEL OPENING DIMENSIONS CHANGE ACCORDINGLY.

PACKING INFORMATION

PACKING TRAY : 0200-9999-H3 (TOP)
0200-9999-H4 (BOTTOM)

PACKING QUANTITY : 35 PCS FINISHED GOODS PER TRAY
10 TRAY (350 PCS FINISHED GOODS) PER CARTON BOX

NOTE : CARDBOARDS ARE PLACED BETWEEN LAYERS OF PACKING TRAY INSIDE CARTON BOX
(INCLUDE THE UPPERMOST AND LOWERMOST TRAY)